

## DESCRIPTION

The SS6208 integrates a half-bridge MOSFET driver (high side + low side) into a package of 3mm\*3mm 8-pins DFN. The SS6208 integrated solution greatly reduces the parasitic effects and board space issues of discrete solutions compared to discrete component solutions.

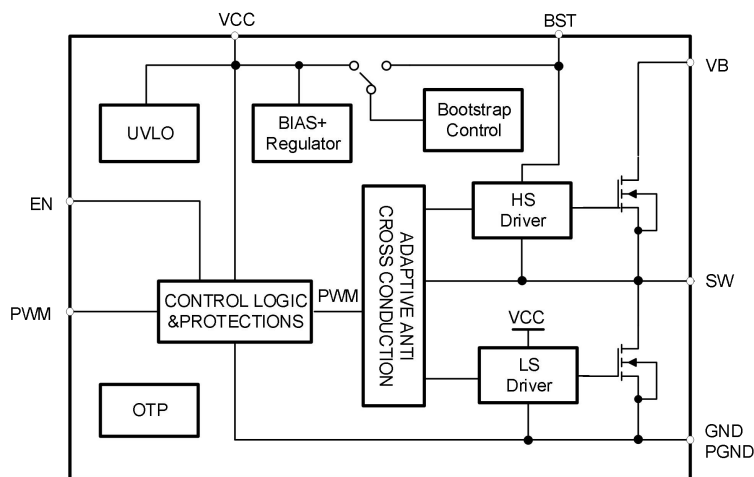
The drivers and MOSFETs have been optimized for half-bridge applications. The drive voltage of the high or low side MOSFET gate can operate over a wide voltage range and achieve optimal efficiency. The internal adaptive dead zone circuit further reduces switching losses by preventing both MOSFETs from being on at the same time.

When the VCC is below the specified threshold voltage, the UVLO circuit works, which can effectively prevent the chip from misoperating. The EN pin in the design allows the chip to enter a low static current state and obtain a long battery life.

## APPLICATIONS

- E-cigarette
- Wireless charge
- Half-bridge application

## FUNCTIONAL DIAGRAM



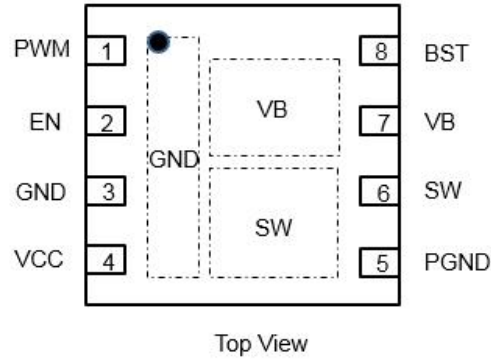
## FEATURES

- Maximum rated continuous current 4A, peak 8A
- Bootstrap high-end drive
- Integrated high/low side MOSFETs
- High frequency operation (up to 1MHz)
- PWM input compatible with 3.3V and 5V
- Internal bootstrap diode
- Undervoltage lock
- Thermal protection is off
- Adaptive anti-collision protection

## PRODUCT INFORMATION

Product number	Package type	Quantity
SS6208L-DF-TP	DFN3x3-08L	3000

## PIN CONFIGURATION



## PIN DESCRIPTION

Pin name	Description	Pin number
PWM	PWM logic input	1
EN	Standby mode logic input pin	2
GND	Power ground	3
VCC	Logic and gate driver supply voltage	4
PGND	Power ground	5
SW	Switch node output	6
VB	Power supply input pin	7
BST	Bootstrap voltage	8